

BAND PASS FILTER

SURFACE MOUNT MODEL FIS-70

OPTIMIZED BANDWIDTH

F_c = 70 MHz

SPECIFICATIONS:

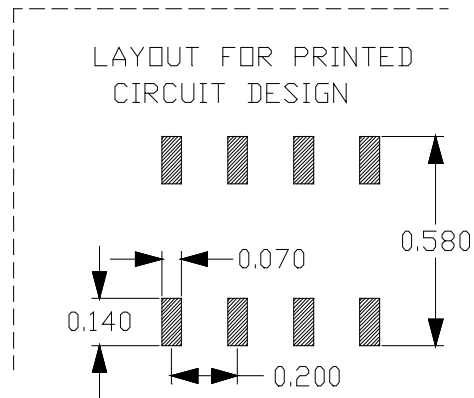
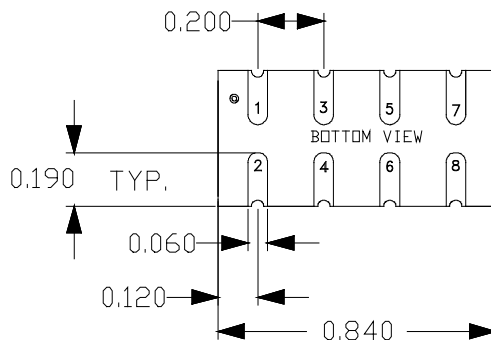
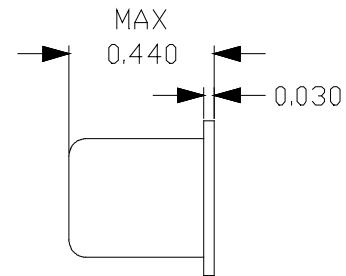
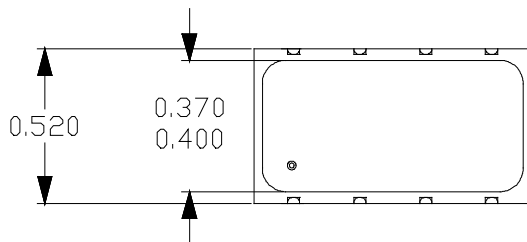
Center Frequency: 70 MHz
Passband I. Loss : 1.5 dB (Max)
Passband: 64.0 - 75.9 MHz
20 dB Bandwidth : 49.0 - 91.0 MHz

40 dB Bandwidth: 20.3 - 210.0 MHz
Power Rating: 1 Watt (Max)
Impedance: 50 Ohms
Operating Temp. Range: -20° to +70°C



MECHANICAL OUTLINE:102S

PIN-OUT	
Input	1
Output	8
Case Ground - All Others	



BAND PASS FILTER

SURFACE MOUNT MODEL FIS-70

OPTIMIZED BANDWIDTH

$F_c = 70 \text{ MHz}$

PERFORMANCE PLOTS

