

FREQUENCY DOUBLER

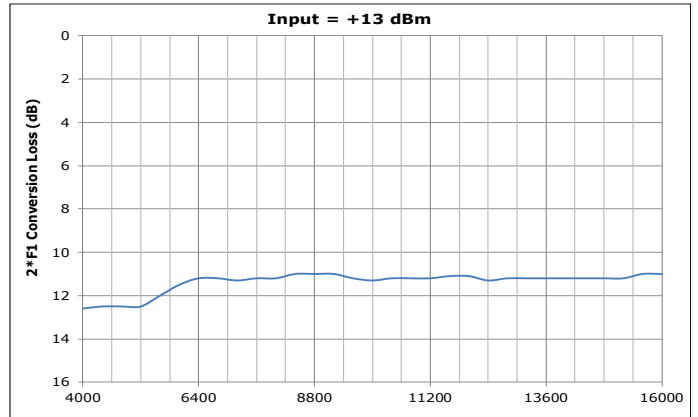
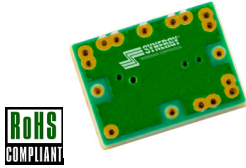
SURFACE MOUNT MODEL: XGS-4

WIDE BANDWIDTH - GALAXY SERIES

2 - 8 GHz

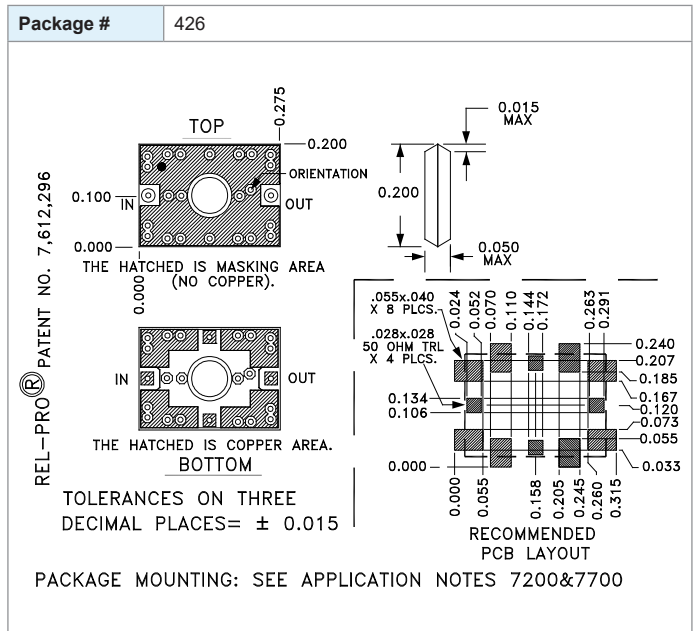
FEATURES:

- ▶ Multi-octave Bandwidth
- ▶ SYNSTRIP® Multi-layer Technology
- ▶ Compact Size, Surface Mount
- ▶ Lead Free REL-PRO® Technology
- ▶ Low Cost
- ▶ Good F1 and F3 Rejection



SPECIFICATIONS

Frequency (GHz)	Input (F1)	2 - 8
	Output (F2)	4 - 16
Input Power (dBm)	Min.	Max.
	+13	+16
Conversion Loss (dB)	Typ.	Max.
	11	14
Fundamental Rejection (dB)	Typ.	Min.
	F1	18
3rd Harmonic Rejection (dB)	F3	≥ 20.0
Output Impedance	50 Ohms (Nom.)	
Operating Temperature Range	-40 to +85 °C	

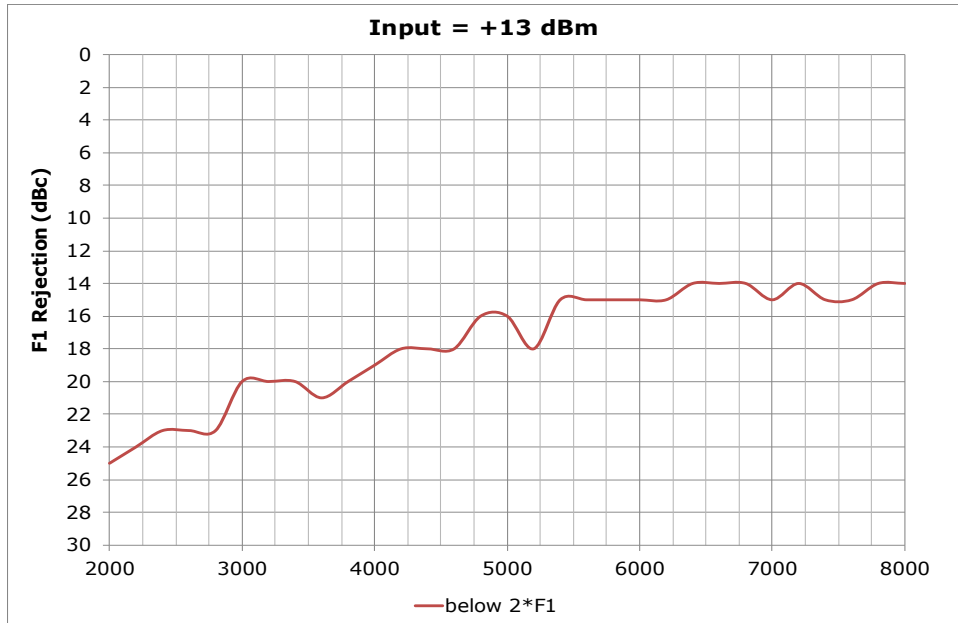


FREQUENCY DOUBLER

SURFACE MOUNT MODEL: XGS-4

WIDE BANDWIDTH - GALAXY SERIES

2 - 8 GHz



PERFORMANCE PLOTS