

SSB MODULATOR MODEL SMR-212

OCTAVE BANDWIDTH

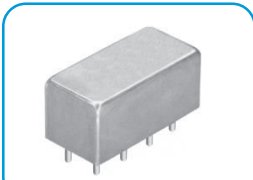
60 - 120 MHz

SPECIFICATIONS

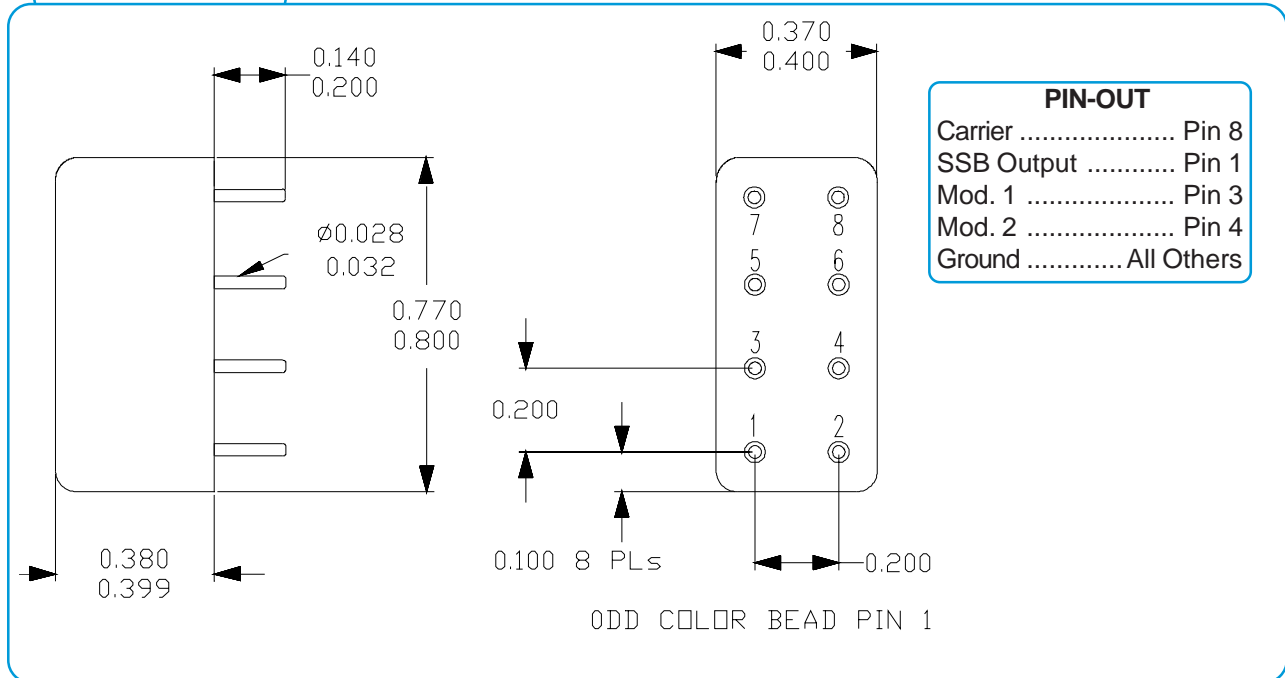
Frequency:		LO / RF Isolation:	45 dB (Min)
Carrier	60 - 120 MHz	Input 1 dB Comp. Pt.:	0 dBm (Min)
Modulation	DC-60 MHz	Input IP3:	+15 dBm (Typ)
Carrier Power Level:	+10 dBm (Nom)	Impedance:	50 Ohms
Conversion Loss:	8 dB (Max)	Operating Temp. Range:	-55° to +85°C
SSB Rejection:	30 dB (Min)		

Notes:

- USB is suppressed when MOD. 1 is +90° reference to MOD. 2
- SSB rejection is based on optimum input quadrature signals
- Conversion Loss is the difference between total power of both modulation inputs and desired sideband output



MECHANICAL OUTLINE: 102



SSB MODULATOR MODEL SMR-212

OCTAVE BANDWIDTH

60 - 120 MHz

PERFORMANCE PLOTS

