

# VOLTAGE CONTROLLED OSCILLATOR

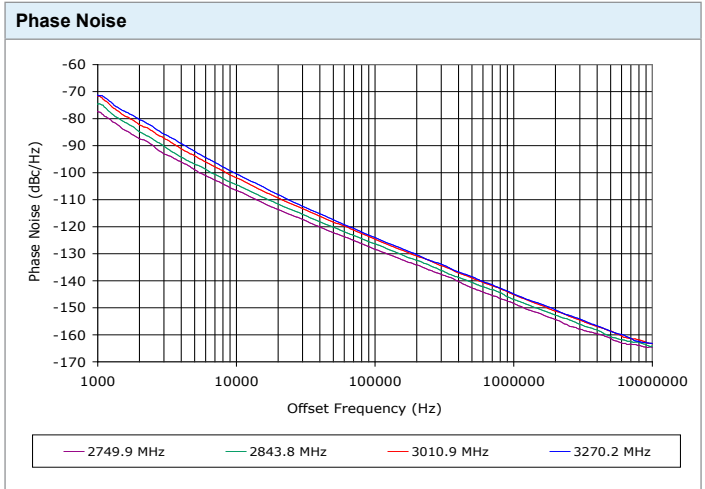
## SURFACE MOUNT MODEL: KDCRO275327-10

**OPTIMIZED BANDWIDTH**

**2750 - 3270 MHz**

**FEATURES:**

- ▶ Exceptional Phase Noise Performance
- ▶ Small Size, Surface Mount
- ▶ Lead Free Patented REL-PRO® Technology
- ▶ Planar Resonator Construction



**SPECIFICATIONS**

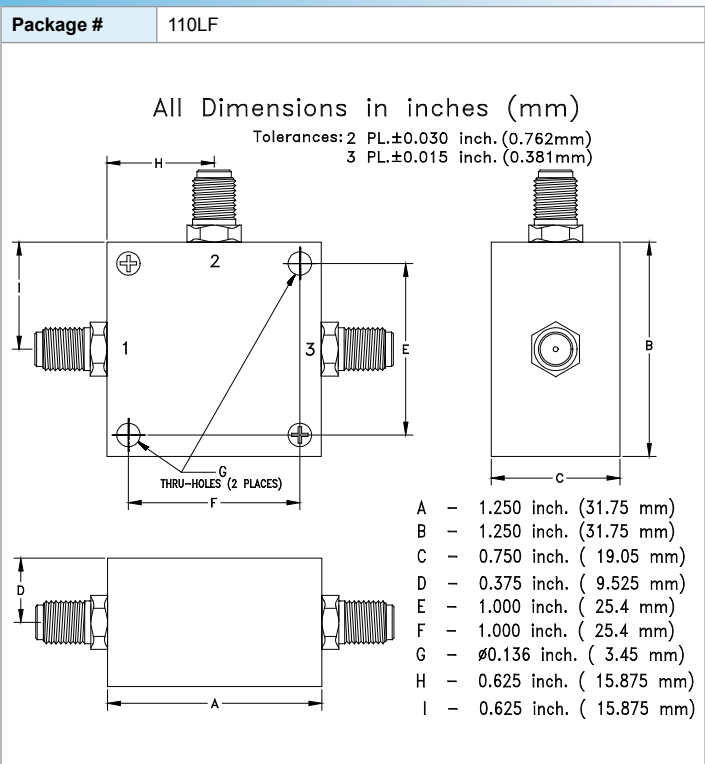
Frequency	2750 - 3270 MHz
Tuning Voltage	See table below.
Bias Voltage	+10 VDC @ 39 mA (Max.)
Output Power	+4 dBm (Min.)
Tuning Sensitivity	14 - 38 MHz/V (Typ.)
Output Impedance	50 Ohms (Nom.)
Harmonic Suppression	20 dB (Typ.)
Frequency Pulling	5 MHz (Typ. @ 1.75:1 VSWR)
Frequency Pushing	5 MHz/V (Typ.)
Tuning Port Capacitance	50 pF (Typ.)
Phase Noise @ 10 kHz	-104 dBc/Hz (Typ.)
Operating Temperature Range	-40 to +85 °C

**Guaranteed Tuning Specifications**

Tuning Voltage ( V )	Frequency ( MHz )
0.5	2750 (Max.)
7	2800 (Min.)
14	2975 (Min.)
21	3175 (Min.)
26	3270 (Min.)

**Absolute Maximum Ratings**

Storage Temp. Range	-55 to +125 °C
Bias Voltage	+10.5 V
Tuning Voltage	+28 V
DC Voltage Applied to RF Out	±25 V



Copyright © Synergy Microwave Corporation  
 201 McLean Boulevard • Paterson, New Jersey 07504 USA  
 Tel: (973) 881-8800 • Fax: (973) 881-8361  
 E-Mail: sales@synergymwave.com • Website: http://www.synergymwave.com  
 Patents : http://www.synergymwave.com/patents



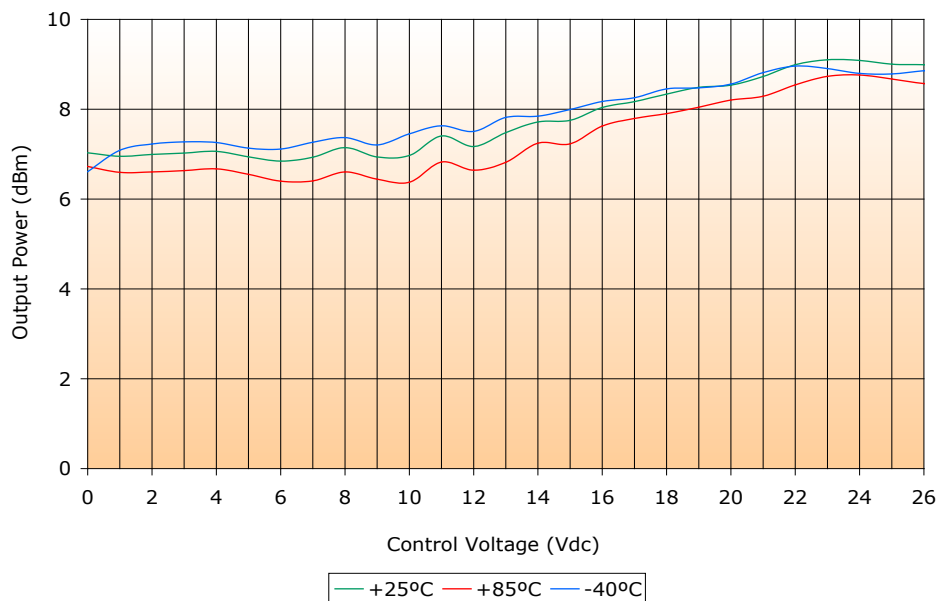
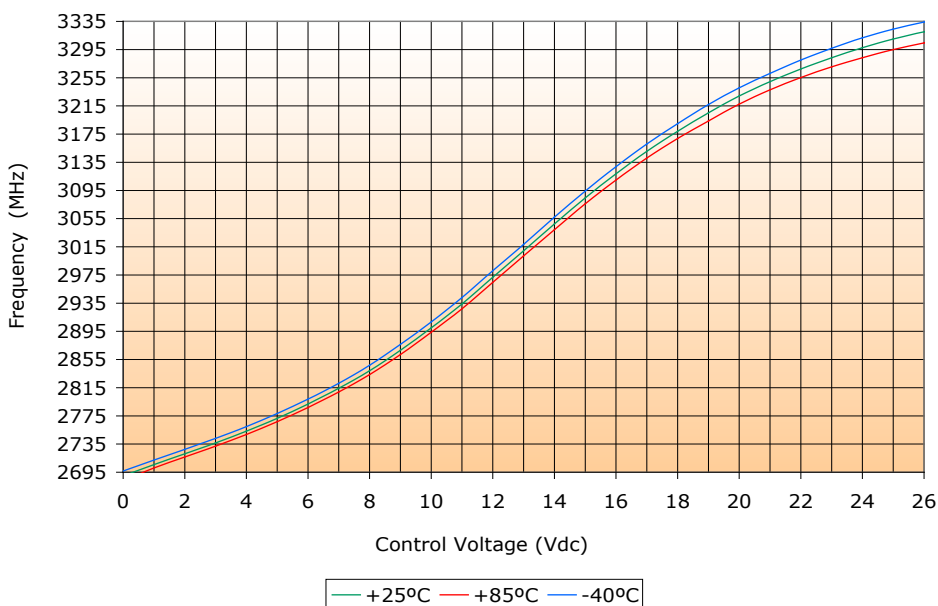
# VOLTAGE CONTROLLED OSCILLATOR

## SURFACE MOUNT MODEL: KDCRO275327-10

OPTIMIZED BANDWIDTH

2750 - 3270 MHz

PERFORMANCE PLOTS



Copyright © Synergy Microwave Corporation  
 201 McLean Boulevard • Paterson, New Jersey 07504 USA  
 Tel: (973) 881-8800 • Fax: (973) 881-8361  
 E-Mail: sales@synergymwave.com • Website: <http://www.synergymwave.com>  
 Patents : <http://www.synergymwave.com/patents>



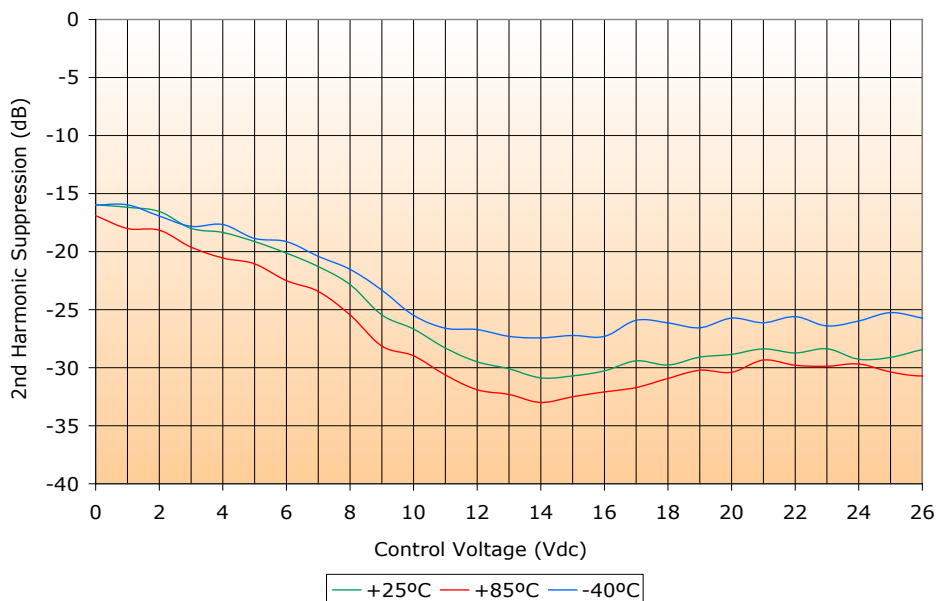
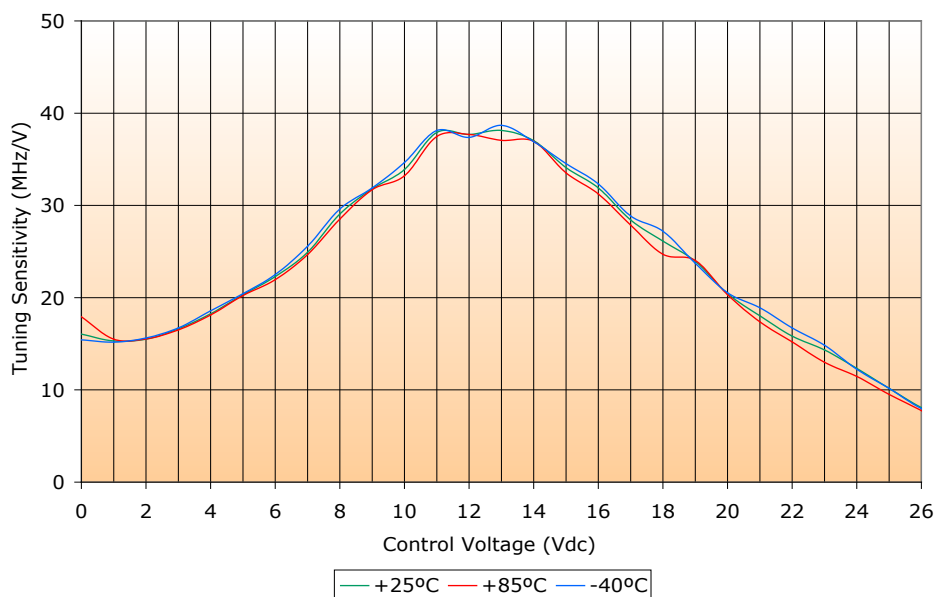
# VOLTAGE CONTROLLED OSCILLATOR

## SURFACE MOUNT MODEL: KDCRO275327-10

OPTIMIZED BANDWIDTH

2750 - 3270 MHz

PERFORMANCE PLOTS



Copyright © Synergy Microwave Corporation  
201 McLean Boulevard • Paterson, New Jersey 07504 USA  
Tel: (973) 881-8800 • Fax: (973) 881-8361  
E-Mail: [sales@synergymwave.com](mailto:sales@synergymwave.com) • Website: <http://www.synergymwave.com>  
Patents : <http://www.synergymwave.com/patents>

